

# 200 Watt AC-DC Switchers

## FEATURES

- Power Factor Correction
- Fully compliant with MIL-STD 461D, CE101, CE102
- Meets MIL-S-901 (High Impact shock)
- Meets MIL-STD-810F
- FCC 20780 class A EMI compliance
- Compact PCI option available
- IP67 sealed option available



## SPECIFICATIONS

### AC INPUT:

95-260 VAC 47-880 Hz single phase. Power factor corrected. Meets MIL-STD-1399, Section 300, type I requirements (spike voltage test).

### EFFICIENCY:

80% minimum or greater.

### LINE REGULATION:

±1% of nominal over the full range of line input voltage.

### LOAD REGULATION:

± 1% for change from no load to full load.

### RIPPLE AND NOISE:

Peak-to-peak combines ripple and noise does not exceed 2% of nominal on the output measured with a 20 MHz bandwidth.

### OPERATING TEMPERATURE RANGE:

Storage, transportation and handling: - 50° to +85°C.  
Ambient temperature: -40°C to +70°C baseplate with no power derating.

### ISOLATION:

The input power circuits and DC output voltage lines are isolated from the chassis. Isolation voltage 500 VDC.

### SHORT CIRCUIT PROTECTION:

Each unit is completely protected against a short circuit of any duration. The current limit circuit is nominally set at 120% of full load to reduce voltage. The output voltage automatically restores to normal when the short is removed.

### INPUT PROTECTION:

Internal fuse. In-rush current limiting.

**REMOTE ERROR SENSING:** Standard.

### CONTROL FEATURES:

"INHIBIT", "ENABLE" (STANDARD) (TTLLOW = TRUE)

### BUILT-IN-TEST FEATURE:

OUTPUT FAULT ALARM (TTLLOW = FAULT)

### RELIABILITY:

MTBF 40,000 hours calculated per MIL-HDBK-217F in naval sheltered environment.

### ELECTROMAGNETIC COMPATIBILITY:

Meets the following MIL-STD-461D requirements: CE101, CE102.

### OUTLINE DIMENSIONS:

Refer to mechanical drawings.

**WEIGHT:** 2 lbs typical.

### ENVIRONMENTAL CONDITIONS:

**Shock test:** Unit meets MIL-S-901 requirements (light weight).

**Vibration test:** Unit meets MIL-STD-167, type I requirements.

**Humidity:** Power supply operates without any evidence of degraded performance in non-condensing relative humidity up to 95%.

## MAXIMUM OUTPUT CURRENT RATINGS

Output Voltage	Output Current
12V	16.66A
13.6V	14.7A
15V	13.33A
24V	8.33A
28V	7.14A

## MODEL NUMBER SYSTEM

AS200S28 □

MODEL FAMILY  
(200W OUTPUT)

OPTIONS ——— (NONE) - VERTICAL CONNECTOR (STANDARD)  
H - HORIZONTAL CONNECTOR  
P - COMPACT PCI MOUNTING

VOLTAGE OUTPUT  
12 = 12 VDC  
13.6 = 13.6VDC  
15 = 15 VDC  
24 = 24 VDC  
28 = 28 VDC

Specifications are subject to change without notice



8203 Vineland Avenue  
Sun Valley, CA 91352  
Tel. 818-504-0644  
Fax. 818-768-0395

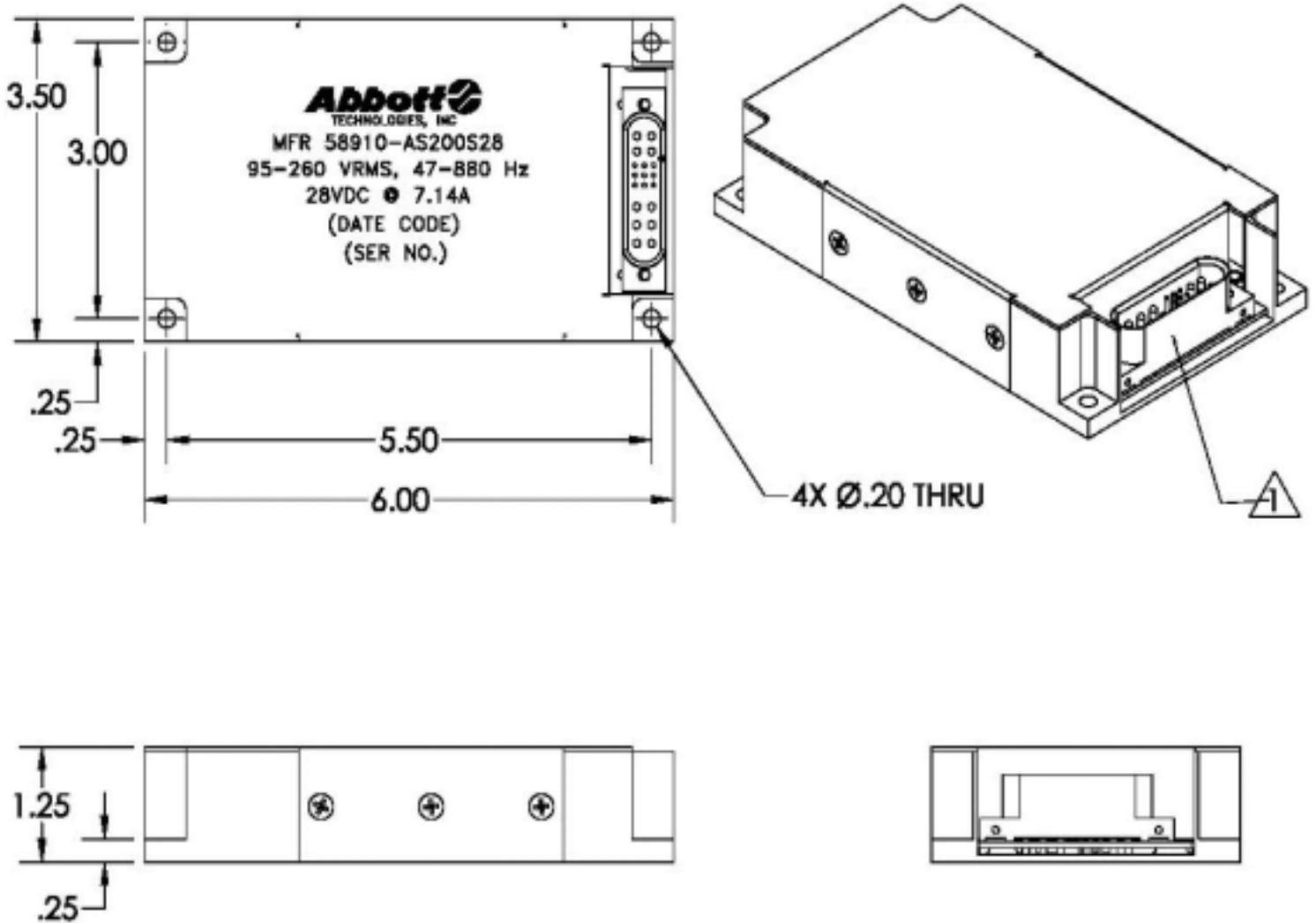
Call us toll-free **1-800-367-8200**

or visit us on-line at: **www.abbott-tech.com**

# 200 Watt AC-DC Switchers

## MECHANICAL DIMENSIONS

(STANDARD MODEL - VERTICAL CONNECTOR)



NOTES: UNLESS OTHERWISE SPECIFIED

1. INPUT: 95-260VRMS, 47-880 Hz  
OUTPUT: (SEE CHART)  
J1 (POSITRONIC INDUSTRIES P/N GFSH109M3H)
2. FINISH: BLACK EPOXY PAINT.
3. MARKING: WHITE EPOXY INK, LOCATED APPROXIMATELY AS SHOWN.



8203 Vineland Avenue  
Sun Valley, CA 91352  
Tel. 818-504-0644  
Fax. 818-768-0395

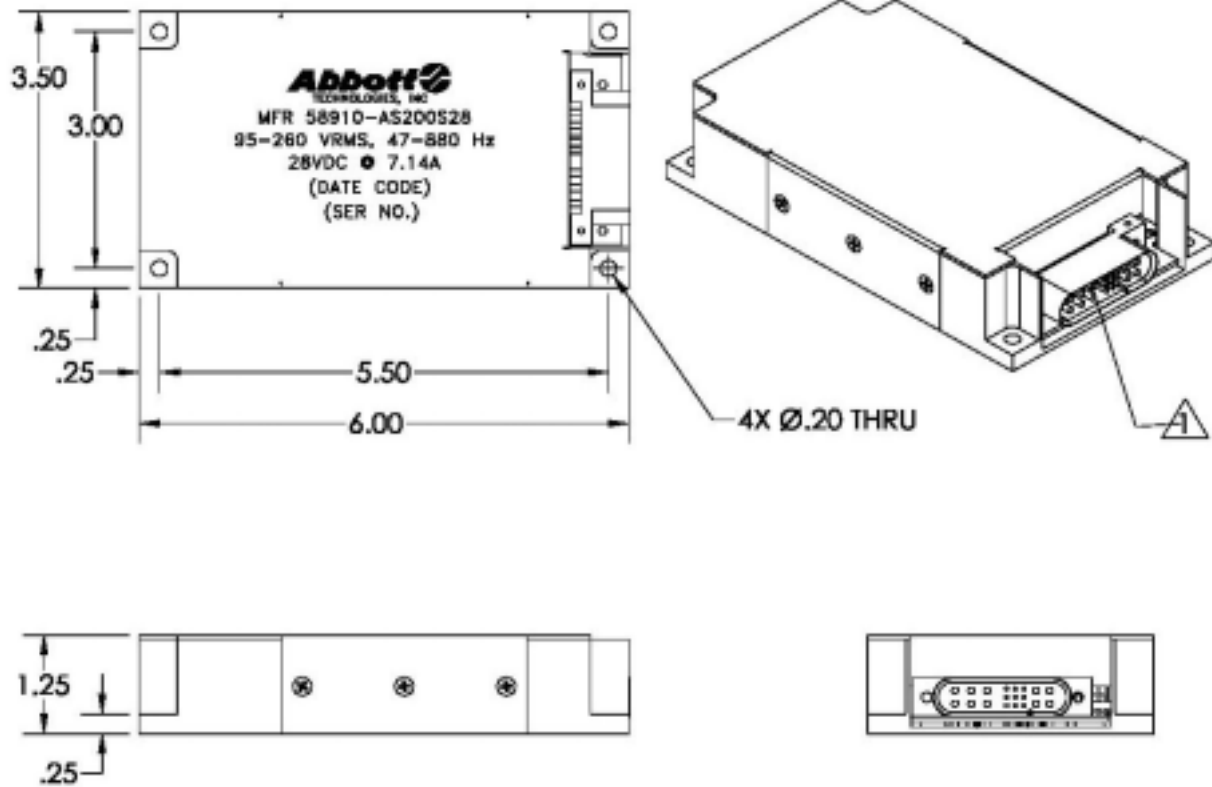
Call us toll-free **1-800-367-8200**

or visit us on-line at: **www.abbott-tech.com**

# 200 Watt AC-DC Switchers

## MECHANICAL DIMENSIONS

(STANDARD MODEL - HORIZONTAL CONNECTOR)



### NOTES: UNLESS OTHERWISE SPECIFIED

1. INPUT: 95-280 VRMS, 47-880 Hz  
OUTPUT: (SEE CHART)  
J1 (POSITRONIC INDUSTRIES P/N GFSH109M4B) SEE SHEET 3 FOR PIN FUNCTION.
2. FINISH: BLACK EPOXY INK.
3. MARKING: WHITE EPOXY INK, LOCATED APPROXIMATELY AS SHOWN.



8203 Vineland Avenue  
Sun Valley, CA 91352  
Tel. 818-504-0644  
Fax. 818-768-0395

Call us toll-free **1-800-367-8200**

or visit us on-line at: **[www.abbott-tech.com](http://www.abbott-tech.com)**